

○ Jiangyin Baoli Machinery Manufacturing Co., Ltd
○ Address: No.9 Xinda Road, Zhutang Town Jiangyin City, Jiangsu Province, China
○ TAO TAO: +8613812119520 (WhatsApp & WeChat)
○ Email: info@cnboly.com
○ Web: www.bolymill.com; www.cnboly.com; www.cnboly.cn

JB Series Coarse Crusher



Main Structure

The structural design of the food and pharmaceutical grade coarse crusher strictly complies with hygiene standards, and the main components include:

Rack and Shell: usually made of high-quality 304 or 316L stainless steel, with a polished surface and high smoothness (such as $Ra \leq 0.8 \mu m$), no hygiene dead corners, preventing microbial growth, and corrosion-resistant and easy to clean.

Crushing device: Install a hammer block on a high-speed rotating rotor, which is matched with a fixed toothed plate and screen to impact, cut, and grind the material.

Drive System: Using a well-sealed motor, usually with a stainless steel casing or treated with a special coating. The transmission part adopts a sealed gearbox or directly uses a belt transmission that meets hygiene requirements to prevent lubricating oil from contaminating materials.

Feeding Hopper and Discharge Port: The feeding hopper design is smooth and there are no dead corners for stacking. The discharge port is easy to connect and can be equipped with a collection device.

Sieve: Controls the particle size of the final product, and the sieve is easy to disassemble and replace quickly.

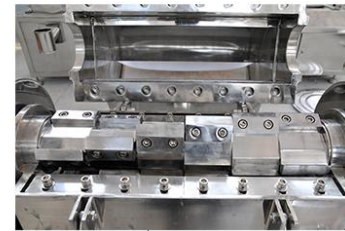


Working Principle

Crushing: The high-speed rotating rotor generates a strong impact force, throwing the material towards the toothed plate or sieve, and is crushed under the action of impact, collision, and friction. Qualified particles are discharged through the sieve mesh, while those that do not meet the requirements remain in the cavity and are crushed.

Discharge: The crushed material is discharged from the bottom under the action of gravity. The entire process is sealed to prevent dust leakage and external pollution.

Feeding hole



Knife plate

Jiangyin Baoli Machinery

Discharge hole



Features & Benefits

Sanitary Design:

Material: All contact parts are made of 316/304 stainless steel.

Surface treatment: high-precision polishing, no dead corners, no residue.

Connection: Adopting a quick opening clamp type connection, it is easy to disassemble and assemble quickly.

Compliant with certification: The design and manufacturing comply with GMP and other relevant regulatory requirements.

Protecting Material Characteristics:

The working mode is relatively mild, avoiding the generation of excessive heat to prevent the denaturation of heat sensitive materials or the loss of effective ingredients

Easy to Clean and Maintain:

Modular design allows for quick disassembly of all contact parts without the need for tools or with minimal tools, greatly reducing cleaning and maintenance time.

Safety and Environmental Protection:

The equipment has good sealing, low dust generation, and a friendly working environment. The electrical part can adopt explosion-proof design, suitable for areas with explosion-proof requirements.

Multifunctionality:

By replacing different screens or adjusting the speed, multiple materials can be processed and different crushing particle sizes can be controlled.



Application Fields

Food Industry:

Food additives: crushed sugar chunks, large chunks of food additives.

Seasoning and spices: star anise, cinnamon, turmeric, chili, etc.

Dairy products: broken milk powder clumps.

Grain processing: beans, grains, and initial crushing.

Pharmaceutical Industry:

API: Crush large chunks of API intermediates into smaller particles for subsequent reactions or mixing.

Chinese medicinal herbs: Huangqi, Banlangen, Cinnamon, Codonopsis pilosula, Rehmannia glutinosa, Angelica sinensis, Yam, Scutellaria baicalensis, Sanqi, Cassia seed, Fennel, Honeysuckle, Bai Zhi, Peppermint, Grass fruit, Atractylodes macrocephala, Paeonia lactiflora, etc.

Pre compression treatment: Slightly crush the granular material to improve its flowability and facilitate compression.

Health product Industry:

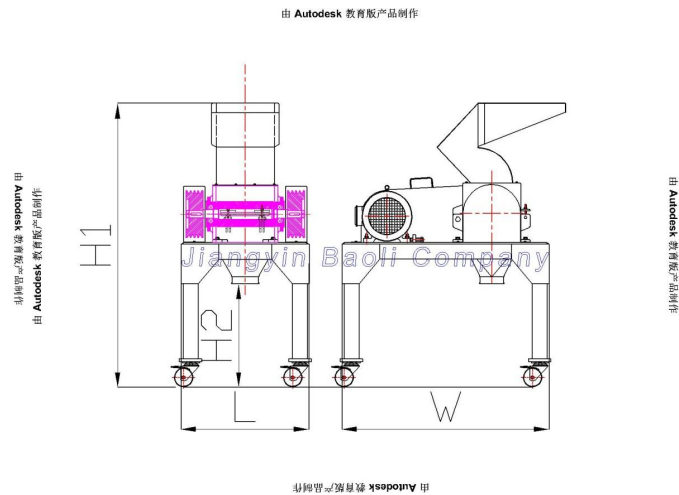
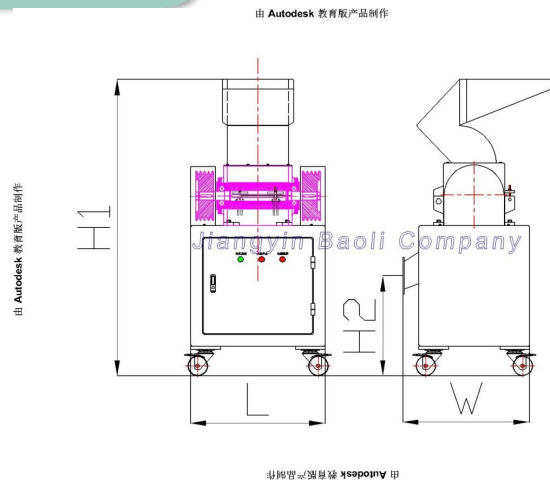
Processing various plant extracts, vitamin blocks, etc.

Cosmetics Industry:

Crushed pigment blocks, wax blocks and other raw materials.



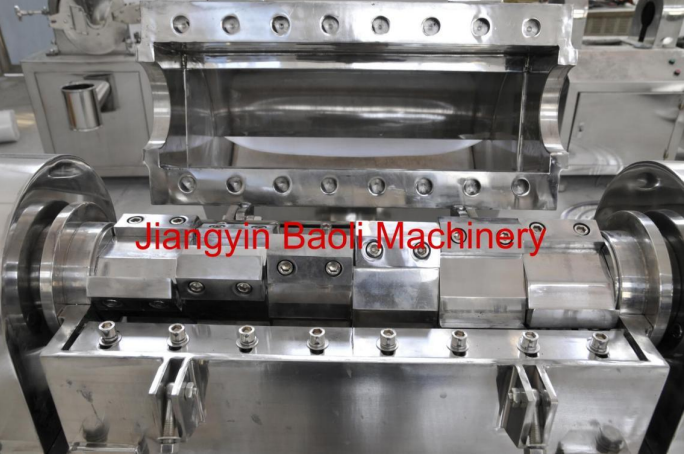
Technical Parameters



Model	Main Structural Dimensions(mm)				Capacity kg/h	Input Particle Size mm	Output Particle Size mm	Speed rpm	Machine weight kg	Total power kw
	L	W	H1	H2						
JB-200	580(600)	650 (900)	1540 (1500)	530 (550)	500-200	≤100	0.5-20	780	220	3
JB-300	680	650 (1200)	1500	500 (550)	80-300	≤100	0.5-20	780	300	4
JB-400	780	650 (1200)	1540 (1550)	550 (600)	100-500	≤100	0.5-20	780	420	5.5
JB-500	880	650 (1200)	1500	550 (550)	120-700	≤100	0.5-20	780	580	7.5
JB-600	980	650 (1200)	1600 (1500)	550 (550)	150-1000	≤100	0.5-20	780	750	11



More Pictures



FAQ

1. Are you a factory or a trading company?

Jiangyin Baoli Machinery Manufacturing Co., Ltd. is a manufacturing-oriented enterprise. Mainly application in a full range of powder field, from the unit to the system, from the crushing, conveying, mixing, sieving to granulation.

2. Can the coarse crusher do both crushing and mixing at the same time?

Crushing and mixing are two separate processes, requiring two separate pieces of equipment. However, we can design a compact production line for you, conveying the crusher output directly into the mixer via a conveyor, enabling automated, continuous production.

3. What are the application fields of your coarse crusher machines?

Used in food additives, baking ingredients, pharmaceutical intermediates, health food, chemical raw materials, and other industries.

4. What information do I need to get a quote for a powder grinding machine?

- ① What is the size of the material? For example, chilli, spices, turmeric, rice grain, or others.
- ② What capacity do you expect from a grinder machine? (kg/h)
- ③ What mesh or mm, or micron(size) of the powder you want?
- ④ What is the material of the machine?

Usually, we use stainless steel 304; if you want stainless steel 316, it's OK, and please tell us.



About Baoli Machinery

Our company locates at Wuxi city, very near Shanghai City and it takes 35-50 minutes to get to our city by train from Shanghai.

- 1) We have a CE certificate, ISO, Patents, etc.
- 2) Each year, we take part in a lot of Expos, for example: FIC, CPHI, API, etc.

